

Battery-operated sprayer, manufactured under high standards of quality, robustness, reliability and safety. Designed for the generation of dry and long lasting foam. Must be used with chemical agents with surfactant properties (surface active).

### Sectors in which to use

- Building
- Cleaning and disinfection
- Industry and maintenance
- Automotive and detailing
- Pest control
- Epidemics & virus control



### Products with which to use

**BATTERY COMPRESSOR**  
Reference 8.26.78.900

18v battery-powered compressor to be attached to different IK Sprayers that contain the compressed air connector (except foam pro 2 plus). Using the compressor, the device will quickly pressurize up to 2.5bar /36 psi without any effort for the user. Thanks to its large air flow, it can work continuously while maintaining pressure.



### 3 TYPES OF FOAM



**DRY  
FOAM**



**INTERMEDIATE  
FOAM**



**WET  
FOAM**

Technical information	
Technical information	<b>e FOAM Pro 12</b>
VALVE	4-bar / 58 psi setting with automatic pressure release option
HOSE	1.3m / 51 inches
STANDARD NOZZLES	Special nozzle with fan-type foam
LANCE	47cm / 18.5 inches fibreglass
USEFUL CAPACITY	6l. – 1.58 U.S. Gals.
TOTAL CAPACITY	10l. – 2.64 U.S Gals.
GROSS WEIGHT	2.99 Kg – 6.59 lbs.
NET WEIGHT	2.57 Kg – 5.66 lbs.

Logistics data	
Logistics data	<b>e FOAM Pro 12</b>
CODE	8.26.78
EAN	84.14685.104027.5
CONDITIONING	1 unit
UNITS PER PALLET	16 units
DIMENSIONS PER PALLET	1200 x 811 x 1100



## ACCESSORIES



Personalize your sprayer adapting it to your application needs (height, hard-to-reach areas...)



**FLEX PIPE 0.5 M**  
Reference 8.38.77.813

A flexible pipe of 0.5 m for applications in places that are hard to reach. Do not use it with acid or corrosive products.



**FLEX PIPE 0.25 M**  
Reference 8.38.77.810

A flexible pipe of 0.25 m for applications in places that are hard to reach. Do not use it with acid or corrosive products.



**3.2 M / 10,5 FEET  
TELESCOPIC LANCE**  
Reference 8.35.40.913  
**5.4 M / 17,7 FEET  
TELESCOPIC LANCE**  
Reference 8.35.40.915

A fibreglass lances of 3.2 m and 5.4 m for high spraying. Adaptable to sprayers and compression sprayers (5l to 20l.). Do not use with acids or solvents.



**EXTENSION 0.5 M**  
Reference 8.34.60.943

A fibreglass extension of 0.5 m for horizontal and vertical applications in places that are hard to reach. Light, manageable and easy to assemble.



**6-METER HOSE**  
Reference 8.26.71.836

The 6 metre reinforced 12 mm (diameter) hose is the perfect and easy to assemble complement for your IK sprayers. Thanks to it, you will be able to reach the most distant places with greater ease of movement, avoiding pinching. It is made of a material that is resistant to both acids and foaming agents, as well as to most chemicals in the professional cleaning sector.



**IDENTIFICATION CARDS  
OF IK PRO CONTENT**  
Reference 8.26.71.875

Colour cards to identify deposit content between devices of the same line. Reversible, providing two colours on a single card, with the option to write on it; reusable and easy to use. There are two type of cards available: Red/Green and Yellow/Blue.



**IK HANDLE (INOX)**  
Reference 8.26.71.872

Versatile handle adaptable to your application needs.



**FIBREGLASS TUBE WITH  
NUTS 47CM**  
Reference 8.26.71.873

Robust and versatile tube lance of 47cm.

## MAINTENANCE KITS



Keep your sprayer always ready and get maximum performance



IK FOAM 9 / PRO 12 KIT - Reference 8.26.76.800

FELT DISC N. 1233 8.17.76.313

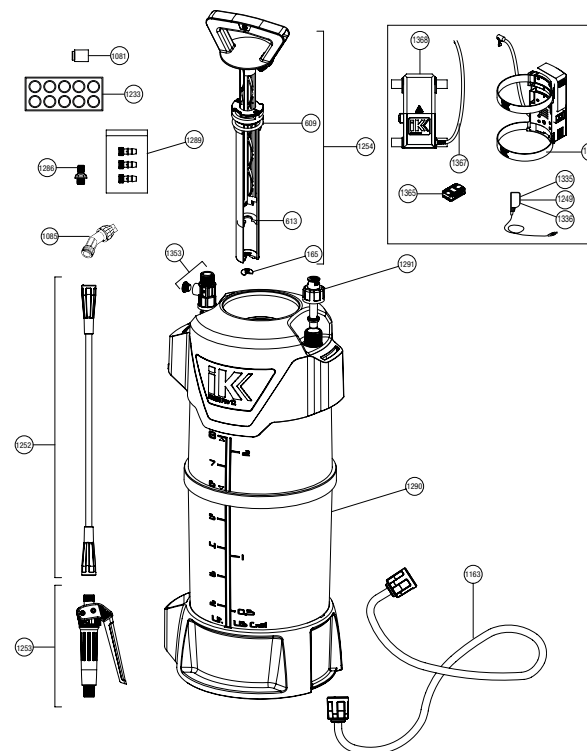
COMPLETE FOAM ADAPTER N. 1085 8.38.11.611



## SPARE PARTS



Extend the service life of your sprayer easily replacing parts



N.	COD.	Q	SPARE PARTS NAME
165	8.38.05.314.1	1	VALVE
609	2.23.16.930	1	ROUND JOINT AN-30
613	8.38.11.314	1	COLLAR SEAL
1081	8.17.76.601	1	COMPLETE FELT HOLDER
1085	8.38.11.611	1	FAN NOZZLE
1163	8.38.11.835	1	HOSE
1233	8.17.76.313	1	FILTER (10 UNITS)
1252	8.26.71.828	1	TUBE WITH IK PRO NUTS
1253	8.26.71.821	1	IK PRO HANDLE
1254	8.26.71.802	1	IK PRO COMPLETE CHAMBER
1286	8.26.71.804	1	IK PRO AIR CONNECTOR WITH JOINT
1287	8.26.76.303	1	1/8 CAP WITH JOINT
1288	8.26.71.312	1	IK PRO AIR CONNECTOR COUPLING
1289	8.26.76.901	1	BAG MIXERS FOAM PRO 12
1290	8.26.76.601	1	IK FOAM PRO 12 TANK
1291	8.26.76.806	1	IK FOAM PRO 12 SAFETY VALVE

N.	COD.	Q	SPARE PARTS NAME
1249	8.30.45.817	1	EU-CHARGER
1335	8.30.45.831	1	USA-CHARGER
1336	8.30.45.832	1	UK-CHARGER
1365	8.26.78.816	1	BATTERY
1366	8.26.78.305	1	VELCRO
1367	8.26.78.603	1	COMPRESSOR HOSE
1368	8.26.78.650	1	FULL HOUSING WITH COMPRESSOR